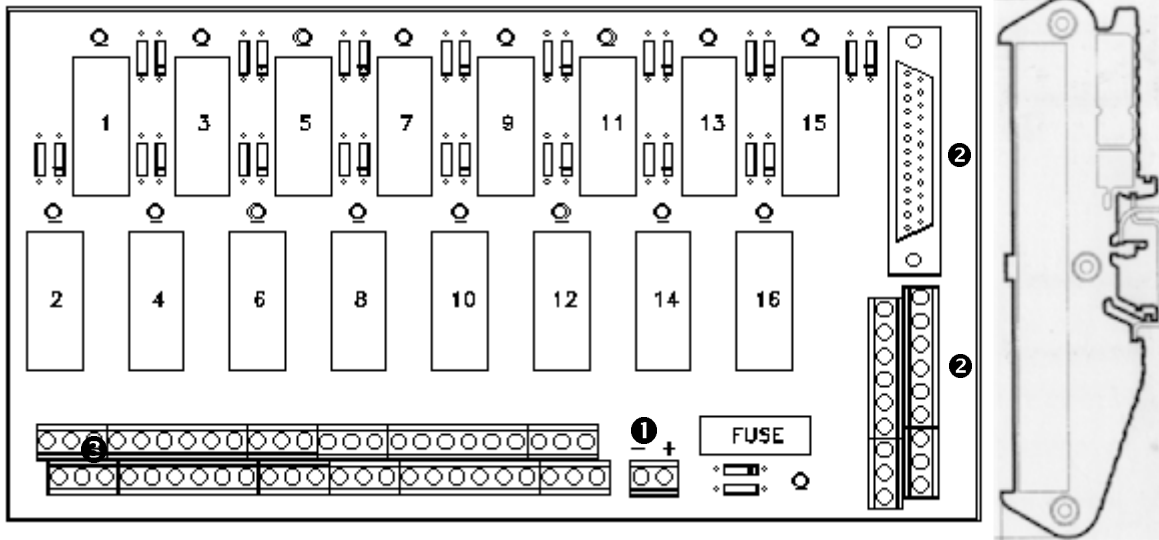


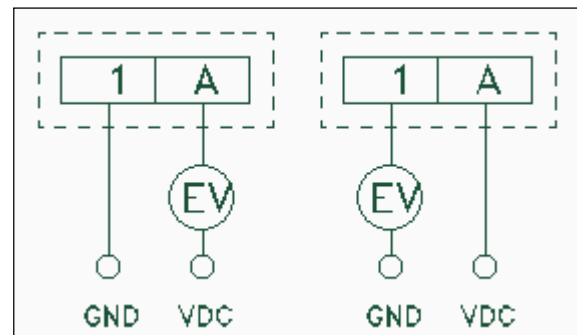
BS16-2A

Interface 16 static relays



Main features :

- **Power :** ❶ 24 Vdc (fuse 2A) .
- **Input signals :** ❷ PnP - 24Vdc.
- **Output Relay:** ❸ (1,2,...,16) GND.
C not used.
A Vdc.
 Relay : *Vnom. 24Vcc. Load 2Amp*



Pin 1	GND		Pin 9	out 6		Pin 18	out 10
Pin 2	n.c.		Pin 10	out 4		Pin 19	24Vcc
Pin 3	out 15		Pin 11	out 2		Pin 20	24Vcc
Pin 4	out 13		Pin 13	GND		Pin 21	out 7
Pin 5	out 11		Pin 14	GND		Pin 22	out 5
Pin 6	out 9		Pin 15	out 16		Pin 23	out 3
Pin 7	24Vcc		Pin 16	out 14		Pin 24	out 1
Pin 8	out 8		Pin 17	out 12		Pin 25	GND

- **Dimension mm. H/L:** 120x216